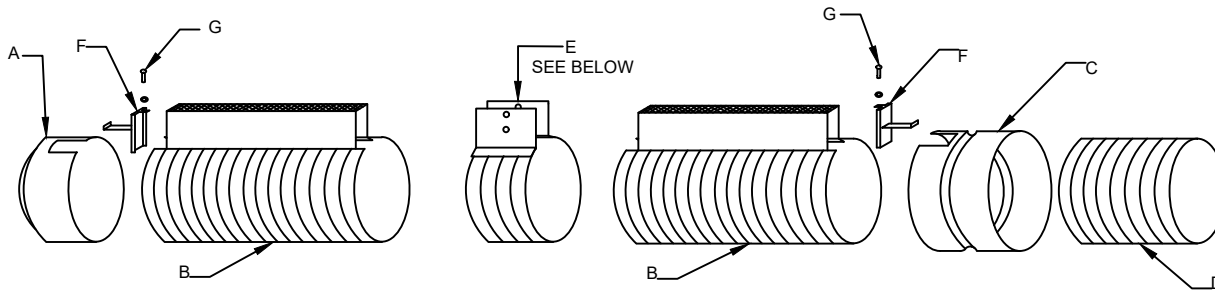
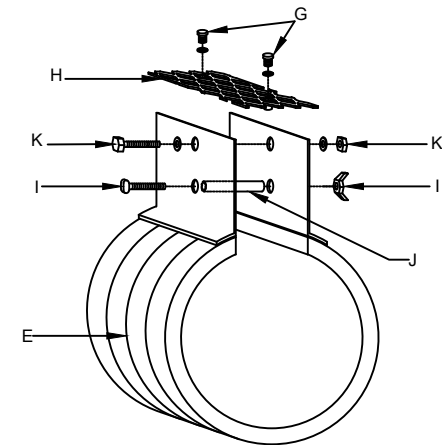


# DURASLOT® STANDARD HEIGHT ASSEMBLY

## GRATED ASSEMBLY

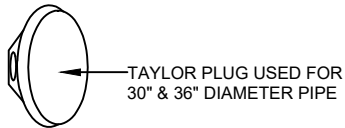


- A. DURASLOT END CAP OR TAYLOR PLUG FOR 30" & 36" PIPE
- B. DURASLOT PIPE
- C. DURASLOT ADAPTER
- D. N-12 PIPE
- E. DURASLOT COUPLER BAND
- F. DURASLOT GRATE ANCHOR
- G. ¼" SPHS X 1" LONG W/ WASHER
- H. DURASLOT GRATE CONNECTOR
- I. ⅝" HEX HEAD SCREW X 3½" LONG W/ WASHER & ⅝" WINGNUT
- J. PLASTIC SLEEVE SPACER (GOES ON I. - NOT USED W/ 4" DIAM.)
- K. HEX HEAD ASSEMBLY:  
⅝" HEX HEAD SCREW X 3½" LONG  
W/ (2) WASHERS AND ⅝" HEX NUT

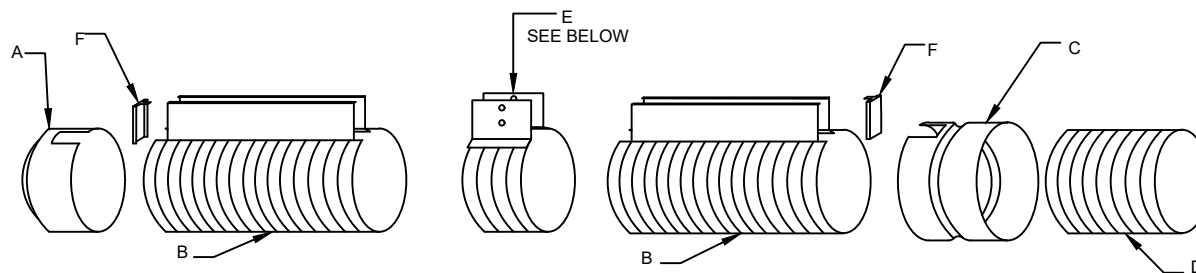


### NOTES:

1. EACH CAP (A) & ADAPTER (C) COMES WITH AN ANCHOR (F)
2. EACH COUPLER BAND (E) COMES WITH HARDWARE - I, J, K, & L
3. (K) NOT USED W/ 4" DIAM. W/ 2.5" SLOT RISER



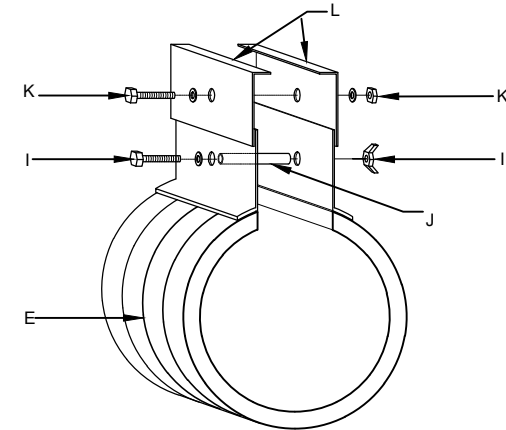
## OPEN TOP ASSEMBLY



- A. DURASLOT END CAP OR TAYLOR PLUG FOR 30" & 36" PIPE
- B. DURASLOT ADAPTER
- C. N-12 PIPE
- D. DURASLOT COUPLER BAND
- E. DURASLOT GRATE ANCHOR
- I. HEX HEAD ASSEMBLY  
⅝" HEX HEAD SCREW X 3½" LONG  
W/ WASHER & ⅝" WINGNUT
- J. PLASTIC SLEEVE SPACER (GOES ON I. - NOT USED W/ 4" DIAM.)
- K. HEX HEAD ASSEMBLY:  
⅝" HEX HEAD SCREW X 3½" LONG  
W/ (2) WASHERS AND ⅝" HEX NUT
- L. DURASLOT BAND FLANGES

### NOTES:

1. EACH CAP (A) & ADAPTER (C) COMES WITH A CAP (F)
2. EACH COUPLER BAND (E) COMES WITH HARDWARE (I, J, K, & L)



© 2019 ADS, INC.

ADVANCED DRAINAGE SYSTEMS, INC. ("ADS") HAS PREPARED THIS DETAIL BASED ON INFORMATION PROVIDED TO ADS. THIS DRAWING IS INTENDED TO DEPICT THE COMPONENTS AS REQUESTED. ADS HAS NOT PERFORMED ANY ENGINEERING OR DESIGN SERVICES FOR THIS PROJECT, NOR HAS ADS INDEPENDENTLY VERIFIED THE INFORMATION SUPPLIED. THE INSTALLATION DETAILS PROVIDED HEREIN ARE GENERAL RECOMMENDATIONS AND ARE NOT SPECIFIC FOR THIS PROJECT. THE DESIGN ENGINEER SHALL REVIEW THESE DETAILS PRIOR TO CONSTRUCTION. IT IS THE DESIGN ENGINEERS RESPONSIBILITY TO ENSURE THE DETAILS PROVIDED HEREIN MEETS OR EXCEEDS THE APPLICABLE NATIONAL, STATE, OR LOCAL REQUIREMENTS AND TO ENSURE THAT THE DETAILS PROVIDED HEREIN ARE ACCEPTABLE FOR THIS PROJECT.

REV.	DESCRIPTION	BY	MM/DD/YY	CHK'D

DRAWING NUMBER: STD-1407



4640 TRUEMAN BLVD  
HILLIARD, OHIO 43026

ADVANCED DRAINAGE SYSTEMS, INC.

DRAWN BY: CWS  
DATE: 2/1/2019  
CHK'D BY: KAK  
SCALE: NTS  
SHEET: 1 OF 1